

VR Enbekon® eG

Intelligent energy concepts



EnbekonDIAMOND

PREMIUM QUALITY PV MODULES

Jewel of the sun for durable top performance

EnbekonDIAMOND
Polycrystalline modules

Module characteristics:

- ▾ Powerful and stable; produced according to VR Enbekon's strict quality requirements
- ▾ Module efficiency of up to 15,26%
- ▾ 10 years limited product guarantee
- ▾ 10 years performance guarantee on 90%, 25 years on 80% of initial output
- ▾ SGS TUV SAAR certified quality
- ▾ Robust 42 mm cavity frame (screwless)
- ▾ Maximum surface load up to 5400 Pa
- ▾ Delivery of positively tolerated modules only
- ▾ Completely recyclable

Electrical data – typical (STC*)

Capacity rating Wp	P _{max}	240	245	250
Tolerance in %	%	-0/+3	-0/+3	-0/+3
Module efficiency	η	14.65	14.95	15.26
Rated voltage in V	U _{pm}	29.70	29.85	30.00
Rated current in A	I _{pm}	8.10	8.20	8.40
Open circuit voltage in V	U _{oc}	36.60	36.80	37.00
Short circuit current in A	I _{sc}	8.40	8.50	8.60

Temperature coefficients (TC)

Tc of open circuit voltage	V _{oc}	- 0.400%/°C
Tc of short circuit current	I _{sc}	+ 0.069%/°C
Tc of power	P _{max}	- 0.520%/°C

Mechanical specification

Dimensions (H x B x D)	1.655 mm x 990 mm x 42 mm
Weight	18,8 kg
Junction box	Tyco solarlok Z-rail junction box (IP65)
Cable	Solar cable, 1000 mm length, 4 mm ² prefabricated with Tyco male & female plugs
Front glass	Solar glass highly transparent, tempered glass, 3,2 mm

Mechanical specification

Solar cells	60 pc polycrystalline Si 6.14" (156 mm x 156 mm) 3BB
Cell encapsulation	Highly transparent EVA (Ethylen-Vinyl-Acetat), 0.45 mm
Backside	Highly reflective white polymer
Frame	Anodised aluminium cavity frame (screwless)

Permissible operating conditions

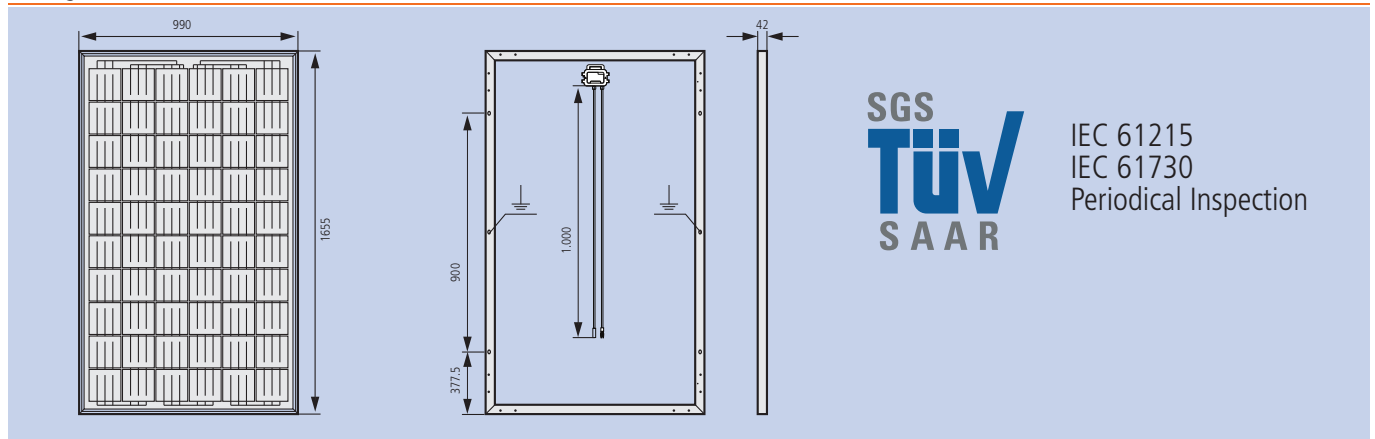
Temperature range	- 40°C to +85°C
Maximum system voltage	1.000 V DC
Maximum surface load	Tested up to 5400 Pa according to IEC 61215 (advanced Test)
Hail resistance	Maximum diameter of 25 mm with velocity 24 m/s

Guarantees and certifications

Produkt warranty	10 years
Performance guarantee	Guaranteed output power 90% for 10 years and 80% for 25 years (of initial output)
Approvals and certificates	TUV: IEC 61215, IEC 61730 (details see TUV certificate)
Electrical Safety	Class II

* STC = Standard test conditions: Irradiation 1.000 W/m², AM 1.5 and 25°C module temperature NOCT: 48.19°C +/- 2°C

Drawings



VR Enbekon eG
 Dauchinger Straße 5, 78652 Deißlingen
 GERMANY
 ☎ +49(7420) 920 18-0
 📠 +49(7420) 920 18-20
 ✉ service@vr-enbekon.de
 🌐 vr-enbekon.de

Presented by:



VR Enbekon d.o.o.
 Ulica grada Vukovara 269D, 10000 Zagreb
 CROATIA
 ☎ +385(1)5571094
 📠 +385(1)5571994
 ✉ uprava@vr-enbekon.hr
 🌐 vr-enbekon.hr

