

# PS15k2 CS-F65-20

## Solar Surface Pump System

### System Overview

Head	max. 45 m
Flow rate	max. 94 m³/h

### Technical Data

#### Controller PS15k2

- Control inputs for dry running protection, remote control etc.
- Protected against reverse polarity, overload and overtemperature
- Integrated MPPT (Maximum Power Point Tracking)

Power	max. 14 kW
Input voltage	max. 850 V
Optimum Vmp*	> 575 V
Motor current	max. 20 A
Efficiency	max. 98 %
Ambient temp.	-30...50 °C
Enclosure class	IP54

#### Motor AC DRIVE CS-F 11kW

- Highly efficient 3-phase AC motor
- Frequency: 25...51 Hz

Motor speed	1.400...2.905 rpm
Power factor	0,87
Insulation class	F
Enclosure class	IPX4

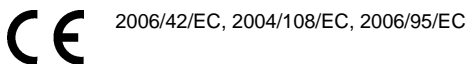
#### Pump End PE CS-F65-20

- Premium materials

#### Pump Unit PU CS-F65-20 (Motor, Pump End)

Water temperature	max. 70 °C
Suction head	max. 3 m

### Standards



Meets the requirements of:  
IEC/EN 61702:1995,  
IEC/EN 62253 Ed.1

The logos shown reflect the approvals that have been granted for this product family. Products are ordered and supplied with the approvals specific to the market requirements.

\*Vmp: MPP-voltage under Standard Test Conditions (STC): 1000 W/m² solar irradiance, 25 °C cell temperature

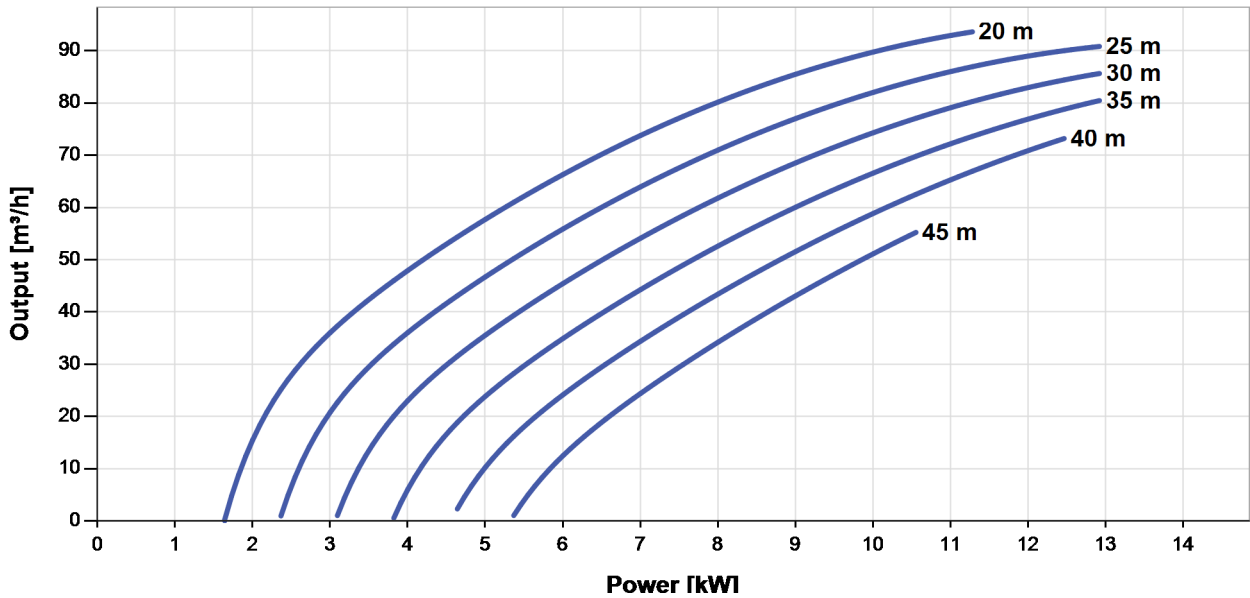


# PS15k2 CS-F65-20

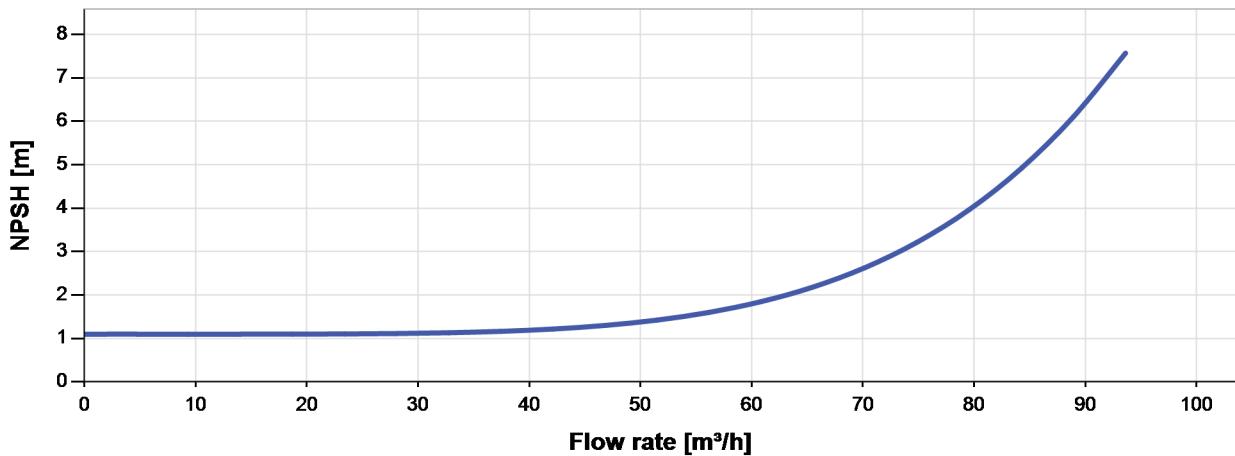
## Solar Surface Pump System

### Pump Chart

Vmp\* > 575 V



### NPSH



The NPSH (Net Positive Suction Head) is NOT the operating suction head. To calculate the operating suction head please refer to the installation manual.

\*Vmp: MPP-voltage under Standard Test Conditions (STC): 1000 W/m² solar irradiance, 25 °C cell temperature



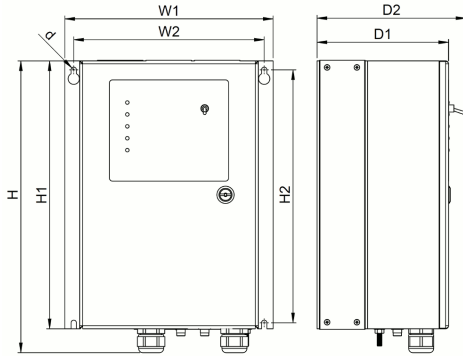
# PS15k2 CS-F65-20

## Solar Surface Pump System

### Dimensions and Weights

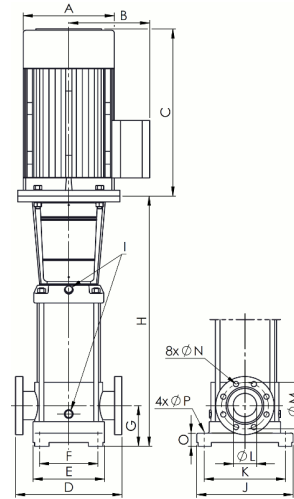
#### Controller

H = 500 mm  
 H1 = 450 mm  
 H2 = 425 mm  
 W1 = 320 mm  
 W2 = 290 mm  
 D = 9,0 mm  
 D1 = 220 mm  
 D2 = 250 mm



#### Pump Unit

A = 330 mm  
 B = 255 mm  
 C = 490 mm  
 D = 365 mm  
 E = 245 mm  
 F = 190 mm  
 G = 140 mm  
 H = 754 mm  
 I = G1/2"  
 J = 330 mm  
 K = 266 mm  
 L = 100 mm  
 M = 180 mm  
 N = 18 mm  
 O = 45 mm  
 P = 14 mm



	Net weight
Controller	17 kg
Pump Unit	182 kg
Motor	107 kg
Pump End	75 kg

