

# PS15k2 CS-G100-27/2

## Solar Surface Pump System

### System Overview

|           |                            |
|-----------|----------------------------|
| Head      | max. 25 m                  |
| Flow rate | max. 135 m <sup>3</sup> /h |

### Technical Data

#### Controller PS15k2

- Control inputs for dry running protection, remote control etc.
- Protected against reverse polarity, overload and overtemperature
- Integrated MPPT (Maximum Power Point Tracking)

|                           |             |
|---------------------------|-------------|
| Power                     | max. 14 kW  |
| Input voltage             | max. 850 V  |
| Optimum V <sub>mp</sub> * | > 575 V     |
| Motor current             | max. 20 A   |
| Efficiency                | max. 98 %   |
| Ambient temp.             | -30...50 °C |
| Enclosure class           | IP54        |

#### Motor AC DRIVE CS-G 11kW

- Highly efficient 3-phase AC motor
- Frequency: 25...51 Hz

|                  |                   |
|------------------|-------------------|
| Motor speed      | 1.400...2.905 rpm |
| Power factor     | 0,87              |
| Insulation class | F                 |
| Enclosure class  | IPX4              |

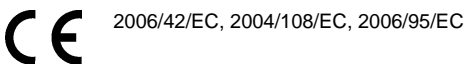
#### Pump End PE CS-G100-27/2

- Premium materials

#### Pump Unit PU CS-G100-27/2 (Motor, Pump End)

|                   |            |
|-------------------|------------|
| Water temperature | max. 90 °C |
| Suction head      | max. 3 m   |

### Standards



Meets the requirements of:  
IEC/EN 61702:1995,  
IEC/EN 62253 Ed.1

The logos shown reflect the approvals that have been granted for this product family. Products are ordered and supplied with the approvals specific to the market requirements.

\*V<sub>mp</sub>: MPP-voltage under Standard Test Conditions (STC): 1000 W/m<sup>2</sup> solar irradiance, 25 °C cell temperature

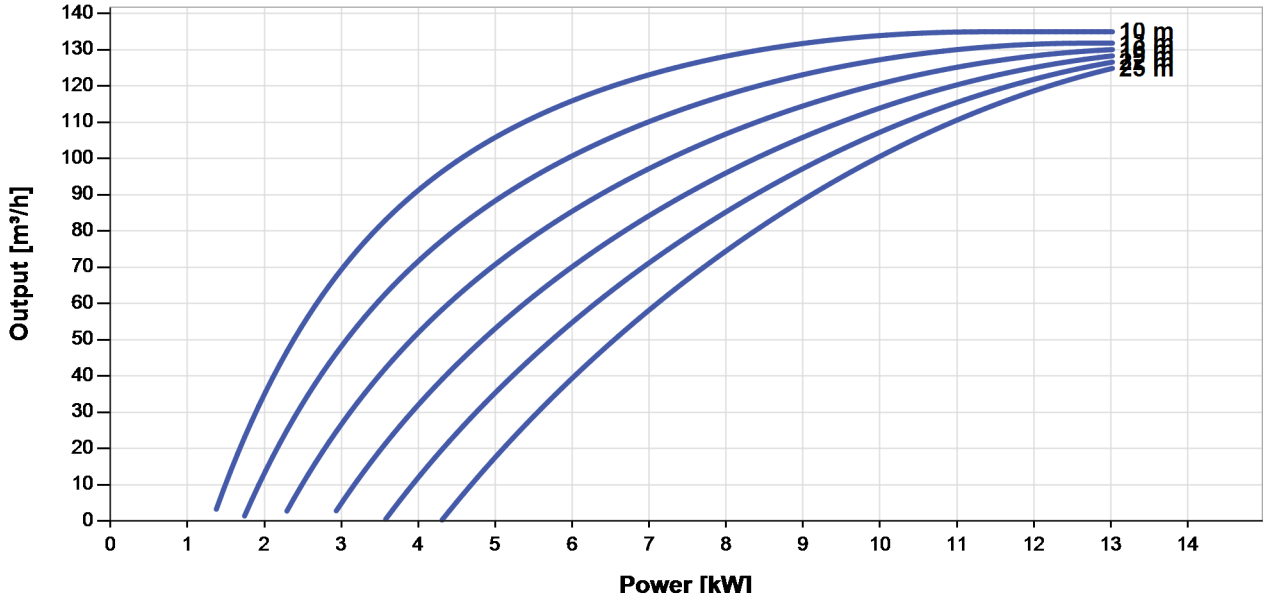


# PS15k2 CS-G100-27/2

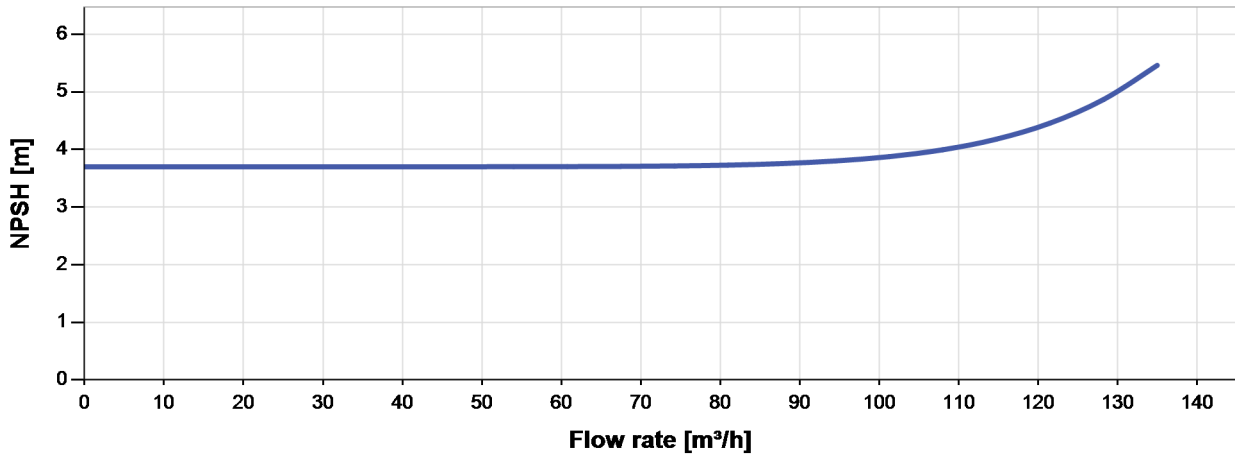
## Solar Surface Pump System

### Pump Chart

Vmp\* > 575 V



### NPSH



The NPSH (Net Positive Suction Head) is NOT the operating suction head. To calculate the operating suction head please refer to the installation manual.

\*Vmp: MPP-voltage under Standard Test Conditions (STC): 1000 W/m² solar irradiance, 25 °C cell temperature



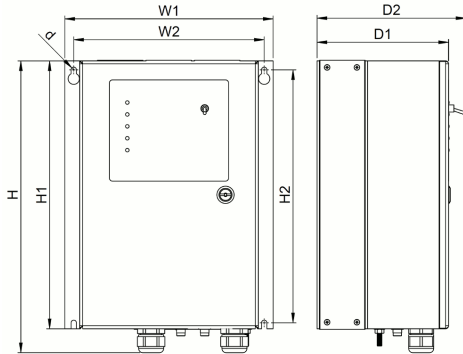
# PS15k2 CS-G100-27/2

## Solar Surface Pump System

### Dimensions and Weights

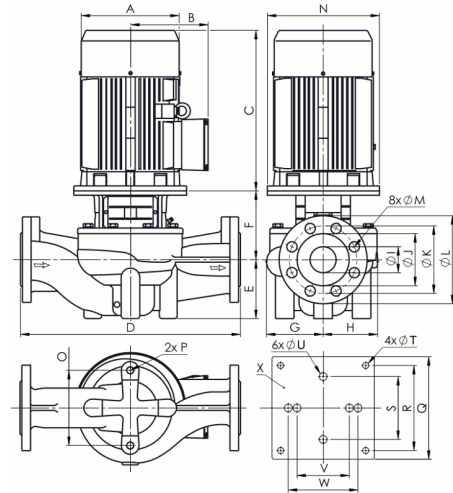
#### Controller

H = 500 mm  
 H1 = 450 mm  
 H2 = 425 mm  
 W1 = 320 mm  
 W2 = 290 mm  
 D = 9,0 mm  
 D1 = 220 mm  
 D2 = 250 mm



#### Pump Unit

A = 350 mm  
 B = 245 mm  
 C = 490 mm  
 D = 550 mm  
 E = 140 mm  
 F = 260 mm  
 G = 147 mm  
 H = 123 mm  
 I = 100 mm  
 J = 156 mm  
 K = 180 mm  
 L = 220 mm  
 M = 18 mm  
 N = 350 mm  
 O = 144 mm  
 P = M16  
 Q = 235 mm  
 R = 195 mm  
 S = 144 mm  
 T = 14 mm  
 U = 18 mm  
 V = 120 mm  
 W = 160 mm  
 X = 35 mm



|            | Net weight |
|------------|------------|
| Controller | 17 kg      |
| Pump Unit  | 183 kg     |
| Motor      | 107 kg     |
| Pump End   | 76 kg      |

