

PS21k2 CS-F85-20

Solar Surface Pump System

System Overview

Head	max. 50 m
Flow rate	max. 120 m ³ /h

Technical Data

Controller PS21k2

- Control inputs for dry running protection, remote control etc.
- Protected against reverse polarity, overload and overtemperature
- Integrated MPPT (Maximum Power Point Tracking)

Power	max. 19 kW
Input voltage	max. 850 V
Optimum Vmp*	> 575 V
Motor current	max. 27 A
Efficiency	max. 98 %
Ambient temp.	-30...50 °C
Enclosure class	IP54

Motor AC DRIVE CS-F 15kW

- Highly efficient 3-phase AC motor
- Frequency: 25...51 Hz

Motor speed	1.400...2.905 rpm
Power factor	0,87
Insulation class	F
Enclosure class	IPX4

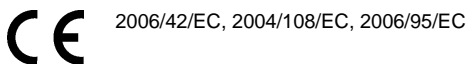
Pump End PE CS-F85-20

- Premium materials

Pump Unit PU CS-F85-20 (Motor, Pump End)

Water temperature	max. 70 °C
Suction head	max. 3 m

Standards



Meets the requirements of:
IEC/EN 61702:1995,
IEC/EN 62253 Ed.1

The logos shown reflect the approvals that have been granted for this product family. Products are ordered and supplied with the approvals specific to the market requirements.

*Vmp: MPP-voltage under Standard Test Conditions (STC): 1000 W/m² solar irradiance, 25 °C cell temperature

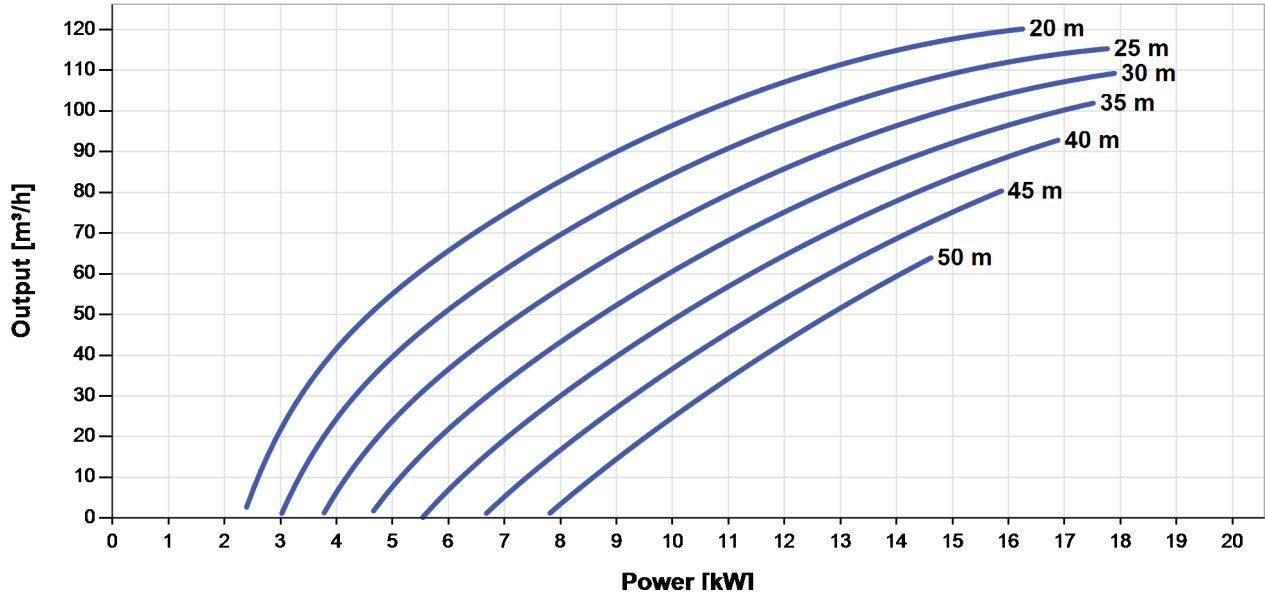


PS21k2 CS-F85-20

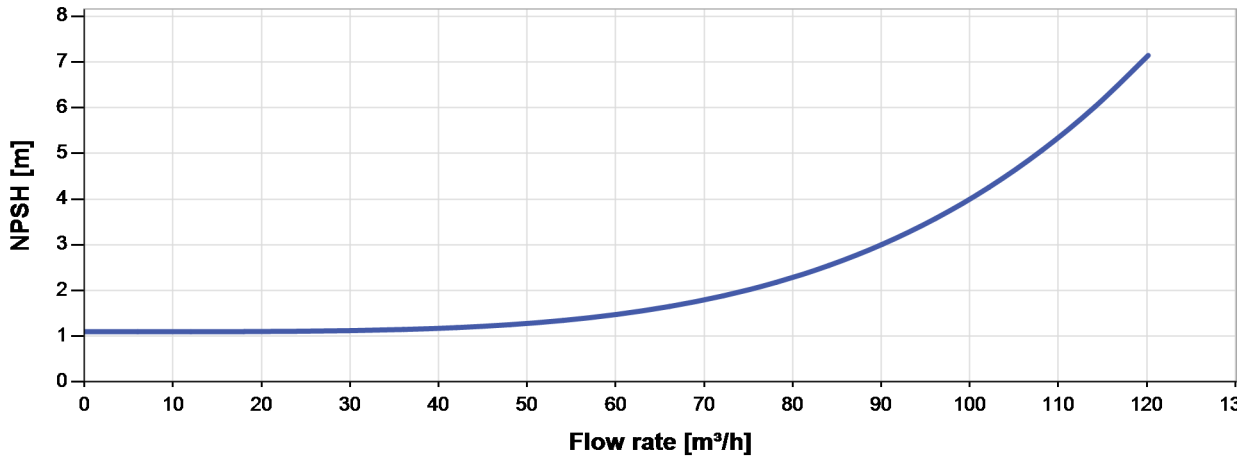
Solar Surface Pump System

Pump Chart

V_{mp}* > 575 V



NPSH



The NPSH (Net Positive Suction Head) is NOT the operating suction head. To calculate the operating suction head please refer to the installation manual.

*V_{mp}: MPP-voltage under Standard Test Conditions (STC): 1000 W/m² solar irradiance, 25 °C cell temperature



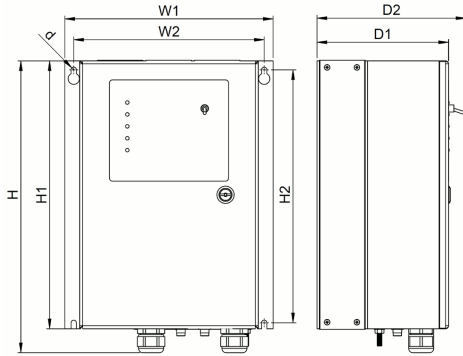
PS21k2 CS-F85-20

Solar Surface Pump System

Dimensions and Weights

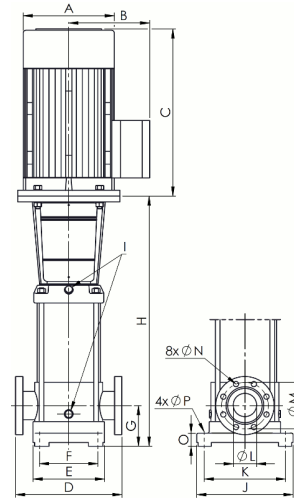
Controller

H = 500 mm
 H1 = 450 mm
 H2 = 425 mm
 W1 = 320 mm
 W2 = 290 mm
 D = 9,0 mm
 D1 = 220 mm
 D2 = 250 mm



Pump Unit

A = 330 mm
 B = 255 mm
 C = 490 mm
 D = 380 mm
 E = 255 mm
 F = 199 mm
 G = 140 mm
 H = 773 mm
 I = G1/2"
 J = 348 mm
 K = 280 mm
 L = 100 mm
 M = 180 mm
 N = 18 mm
 O = 45 mm
 P = 14 mm



	Net weight
Controller	17 kg
Pump Unit	192 kg
Motor	117 kg
Pump End	75 kg

