

PS7k2 CS-F12-9

Solar Surface Pump System

System Overview

| | |
|-----------|---------------------------|
| Head | max. 90 m |
| Flow rate | max. 17 m ³ /h |

Technical Data

Controller PS7k2

- Control inputs for dry running protection, remote control etc.
- Protected against reverse polarity, overload and overtemperature
- Integrated MPPT (Maximum Power Point Tracking)

| | |
|-----------------|-------------|
| Power | max. 7,0 kW |
| Input voltage | max. 850 V |
| Optimum Vmp* | > 575 V |
| Motor current | max. 10 A |
| Efficiency | max. 98 % |
| Ambient temp. | -30...50 °C |
| Enclosure class | IP54 |

Motor AC DRIVE CS-F 5.5kW

- Highly efficient 3-phase AC motor
- Frequency: 25...50 Hz

| | |
|------------------|-------------------|
| Motor speed | 1.400...2.850 rpm |
| Power factor | 0,84 |
| Insulation class | F |
| Enclosure class | IPX4 |

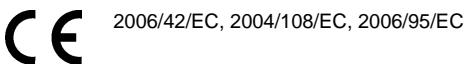
Pump End PE CS-F12-9

- Premium materials

Pump Unit PU CS-F12-9 (Motor, Pump End)

| | |
|-------------------|------------|
| Water temperature | max. 70 °C |
| Suction head | max. 3 m |

Standards



Meets the requirements of:
IEC/EN 61702:1995,
IEC/EN 62253 Ed.1

The logos shown reflect the approvals that have been granted for this product family. Products are ordered and supplied with the approvals specific to the market requirements.

*Vmp: MPP-voltage under Standard Test Conditions (STC): 1000 W/m² solar irradiance, 25 °C cell temperature

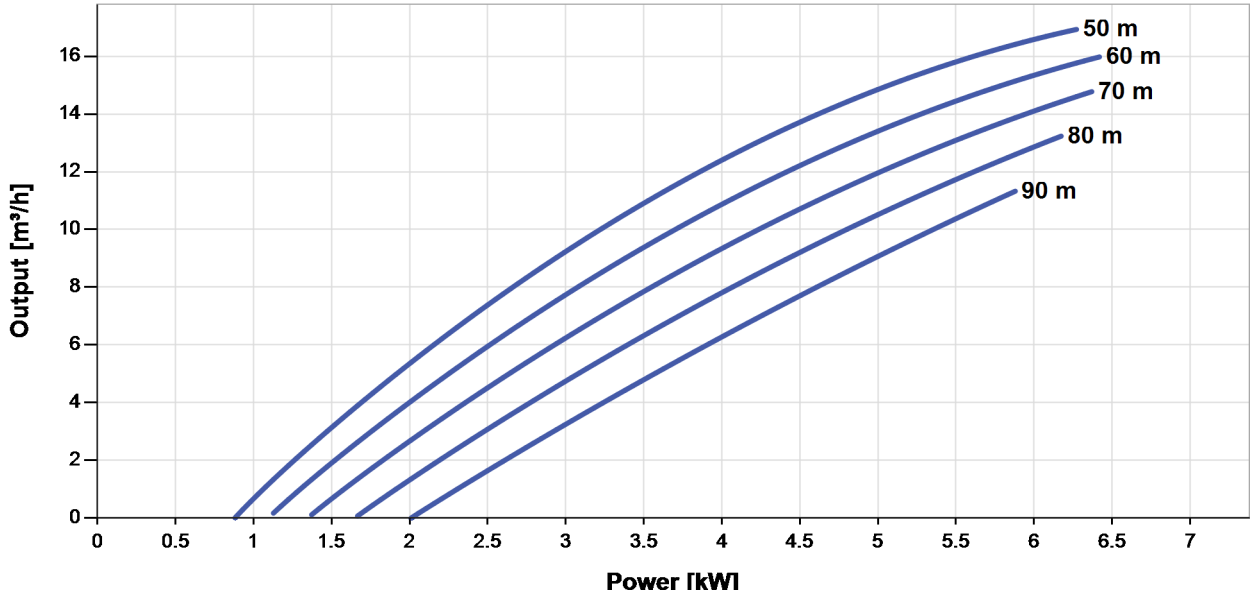


PS7k2 CS-F12-9

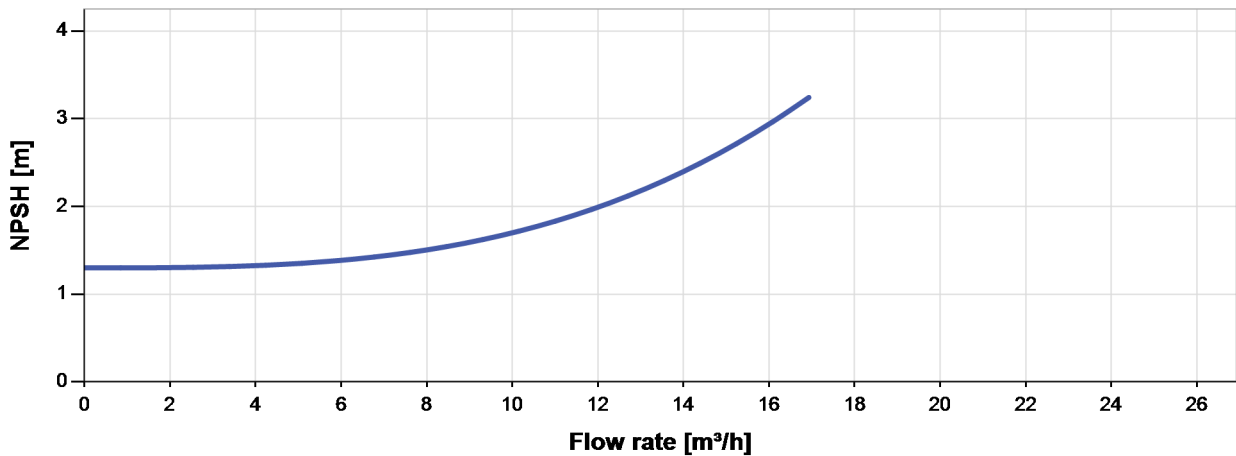
Solar Surface Pump System

Pump Chart

V_{mp}* > 575 V



NPSH



The NPSH (Net Positive Suction Head) is NOT the operating suction head. To calculate the operating suction head please refer to the installation manual.

*V_{mp}: MPP-voltage under Standard Test Conditions (STC): 1000 W/m² solar irradiance, 25 °C cell temperature



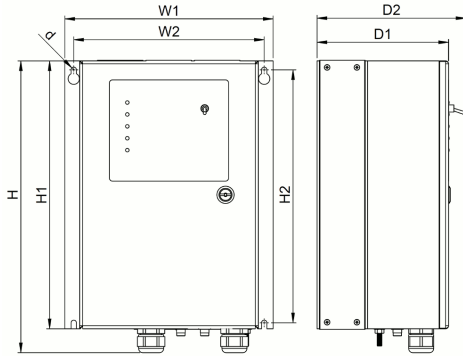
PS7k2 CS-F12-9

Solar Surface Pump System

Dimensions and Weights

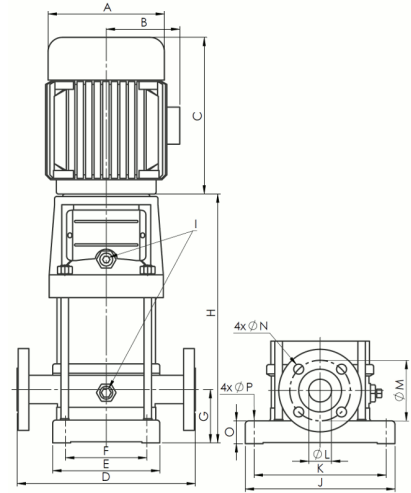
Controller

H = 500 mm
 H1 = 450 mm
 H2 = 425 mm
 W1 = 320 mm
 W2 = 290 mm
 D = 9,0 mm
 D1 = 220 mm
 D2 = 250 mm



Pump Unit

A = 260 mm
 B = 208 mm
 C = 430 mm
 D = 300 mm
 E = 199 mm
 F = 130 mm
 G = 90 mm
 H = 607 mm
 I = G1/2"
 J = 247 mm
 K = 215 mm
 L = 50 mm
 M = 125 mm
 N = 18 mm
 O = 35 mm
 P = 14 mm



| | Net weight |
|------------|------------|
| Controller | 17 kg |
| Pump Unit | 76 kg |
| Motor | 59 kg |
| Pump End | 17 kg |

