

# PS7k2 CS-G100-17/2

## Solar Surface Pump System

### System Overview

Head	max. 18 m
Flow rate	max. 114 m <sup>3</sup> /h

### Technical Data

#### Controller PS7k2

- Control inputs for dry running protection, remote control etc.
- Protected against reverse polarity, overload and overtemperature
- Integrated MPPT (Maximum Power Point Tracking)

Power	max. 7,0 kW
Input voltage	max. 850 V
Optimum V <sub>mp</sub> *	> 575 V
Motor current	max. 10 A
Efficiency	max. 98 %
Ambient temp.	-30...50 °C
Enclosure class	IP54

#### Motor AC DRIVE CS-G 5.5kW

- Highly efficient 3-phase AC motor
- Frequency: 25...51 Hz

Motor speed	1.400...2.905 rpm
Power factor	0,84
Insulation class	F
Enclosure class	IPX4

#### Pump End PE CS-G100-17/2

- Premium materials

#### Pump Unit PU CS-G100-17/2 (Motor, Pump End)

Water temperature	max. 90 °C
Suction head	max. 3 m

### Standards



2006/42/EC, 2004/108/EC, 2006/95/EC

Meets the requirements of:  
IEC/EN 61702:1995,  
IEC/EN 62253 Ed.1

The logos shown reflect the approvals that have been granted for this product family. Products are ordered and supplied with the approvals specific to the market requirements.

\*V<sub>mp</sub>: MPP-voltage under Standard Test Conditions (STC): 1000 W/m<sup>2</sup> solar irradiance, 25 °C cell temperature

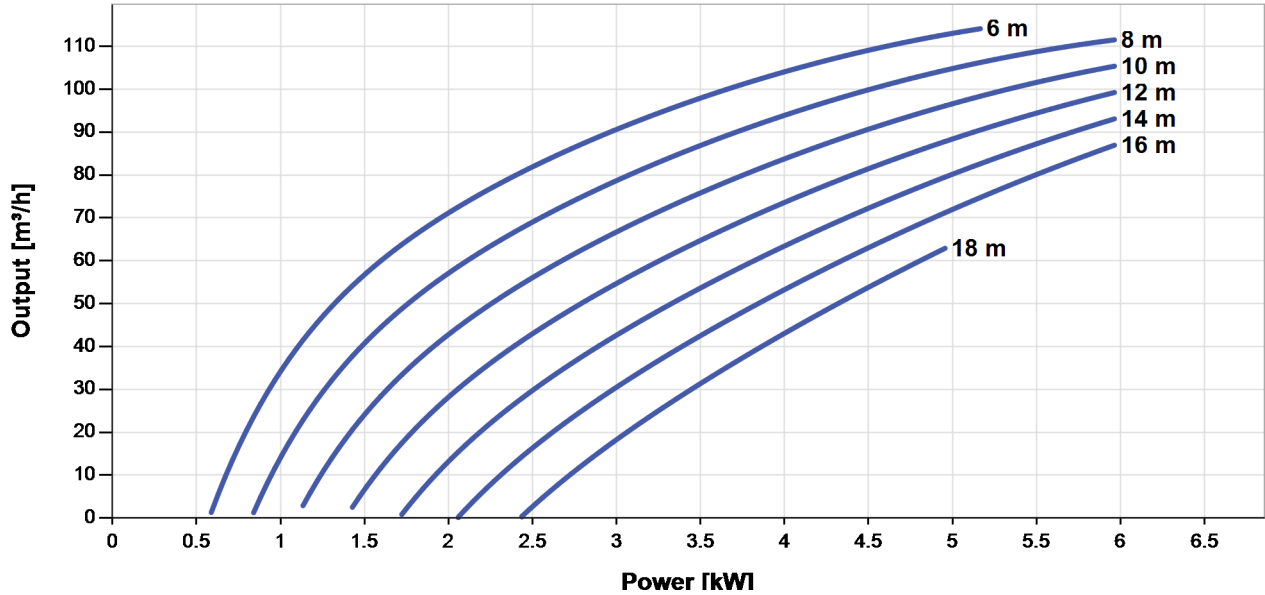


# PS7k2 CS-G100-17/2

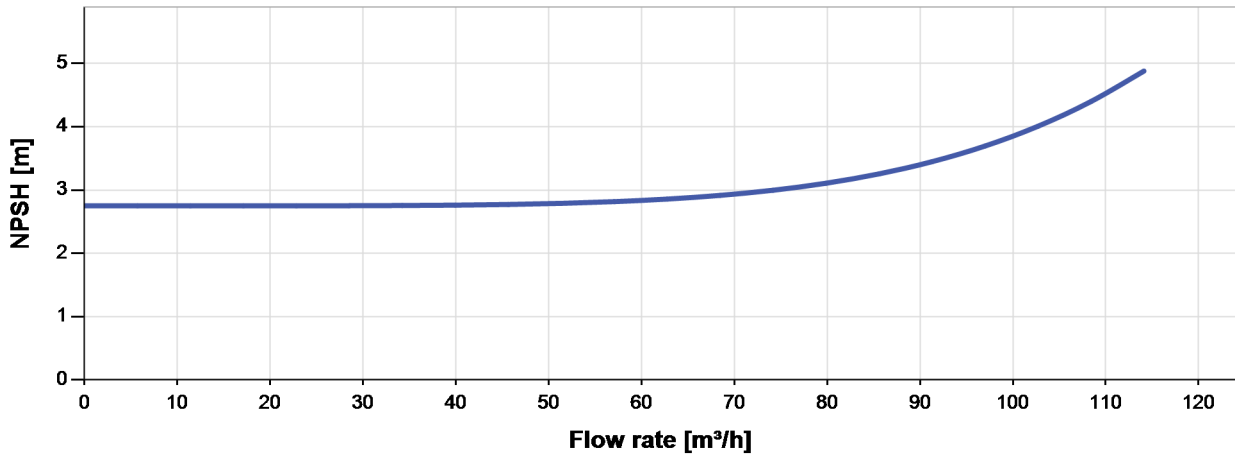
## Solar Surface Pump System

### Pump Chart

Vmp\* > 575 V



### NPSH



The NPSH (Net Positive Suction Head) is NOT the operating suction head. To calculate the operating suction head please refer to the installation manual.

\*Vmp: MPP-voltage under Standard Test Conditions (STC): 1000 W/m² solar irradiance, 25 °C cell temperature



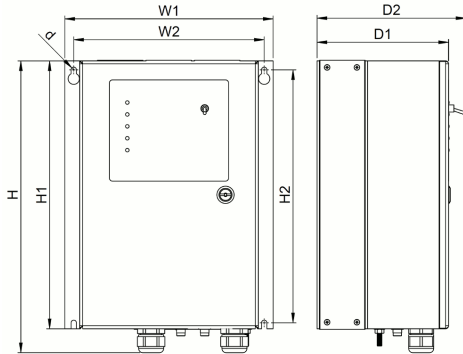
# PS7k2 CS-G100-17/2

## Solar Surface Pump System

### Dimensions and Weights

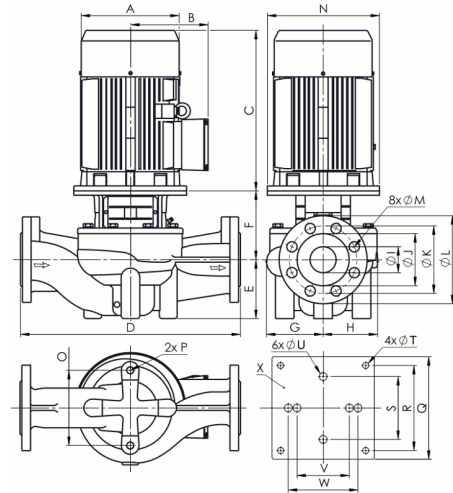
#### Controller

H = 500 mm  
 H1 = 450 mm  
 H2 = 425 mm  
 W1 = 320 mm  
 W2 = 290 mm  
 D = 9,0 mm  
 D1 = 220 mm  
 D2 = 250 mm



#### Pump Unit

A = 260 mm  
 B = 205 mm  
 C = 430 mm  
 D = 500 mm  
 E = 140 mm  
 F = 215 mm  
 G = 150 mm  
 H = 117 mm  
 I = 100 mm  
 J = 156 mm  
 K = 180 mm  
 L = 220 mm  
 M = 18 mm  
 N = 200 mm  
 O = 144 mm  
 P = M16  
 Q = 235 mm  
 R = 195 mm  
 S = 144 mm  
 T = 14 mm  
 U = 18 mm  
 V = 120 mm  
 W = 160 mm  
 X = 35 mm



	Net weight
Controller	17 kg
Pump Unit	119 kg
Motor	59 kg
Pump End	60 kg

